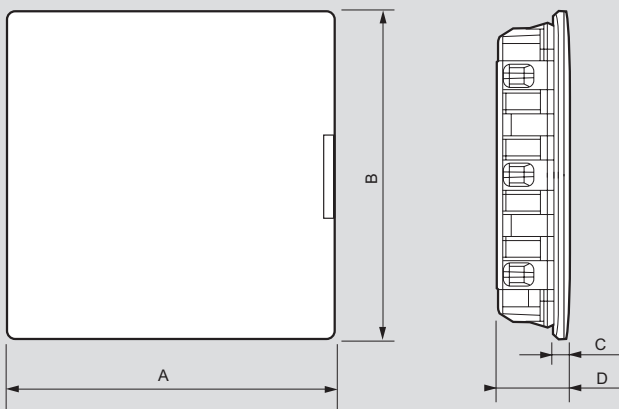


Flush-mounting cabinets Practibox³

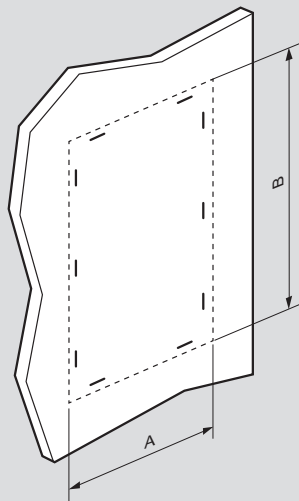
from 18 to 72 modules

■ Dimensions



■ Wall cutting when installing the boxes in dry partitions or masonry

For dry partitions use the flush-mounting kit Cat.No 4 017 24



Cat.Nos	Dimensions (mm)			
	A	B	C	D
4 017 06/16/56/66	493	288	20	105
4 017 07/17/57/67	493	496	20	105
4 017 08/18/58/68	493	650	20	111
4 017 09/19/59/69	493	800	20	111

Cat.Nos	Dimensions for dry partitions (mm)		Dimensions for masonry (mm)	
	A	B	A	B
4 017 06/16/56/66	437	249	> 437	> 249
4 017 07/17/57/67	437	454	> 437	> 454
4 017 08/18/58/68	437	607	> 437	> 607
4 017 09/19/59/69	437	757	> 437	> 757

■ Number of connections per neutral and earth terminal block (supplied with enclosure)

Enclosure Cat.Nos	Neutral terminal blocks Screw connection		Earth terminal blocks Screw connection	
	1.5 - 16 mm ²	6 - 25 mm ²	1.5 - 16 mm ²	6 - 25 mm ²
4 017 06/56	-	-	12	1
4 017 07/57	-	-	16	1
4 017 08/58	-	-	21	1
4 017 09/59	-	-	33	2
4 017 16/66	12	1	12	1
4 017 17/67	2 x 8	-	16	1
4 017 18/68	3 x 8	-	21	1
4 017 19/69	4 x 8	-	33	2

■ Number of blanking plates supplied per enclosure

Enclosure Cat.Nos	Number of blanking plates 5 modules
4 017 06/56 ⁽¹⁾	1
4 017 07/57	2
4 017 08/58	2
4 017 09/59	2
4 017 16/66 ⁽¹⁾	1
4 017 17/67	2
4 017 18/68	2
4 017 19/69	2

1 : 4 modules, moulded on the faceplate